

GENERAL NOTES:

NO.	DESCRIPTION	DATE
4.		
3.		
2.		
1.		

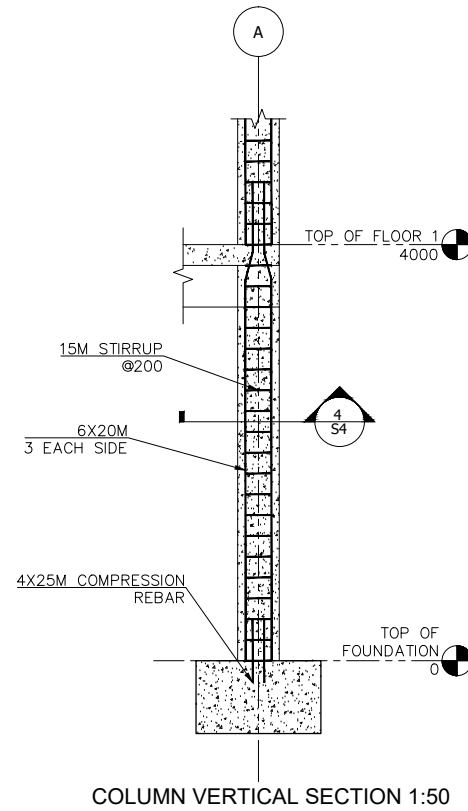
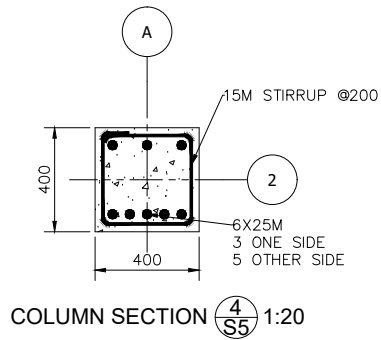
REVISIONS

HUMBER
 FACULTY OF APPLIED SCIENCES
 AND TECHNOLOGY
 CIVIL ENGINEERING

TITLE:
**FOUNDATION FLOOR
 SLAB DETAILS**

DRAWN BY:
ROBIN PANESAR


DATE: 4/11/24 DWG. NO.
 SCALE: AS SPECIFIED S01



GENERAL NOTES:

NO.	DESCRIPTION	DATE
4.		
3.		
2.		
1.		

REVISIONS

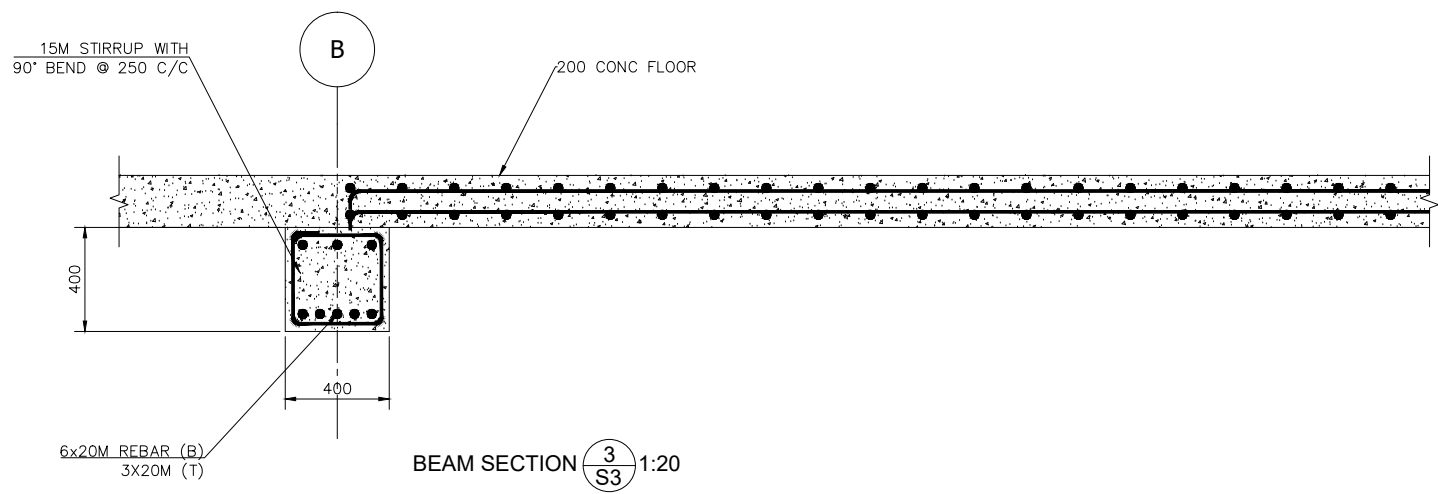
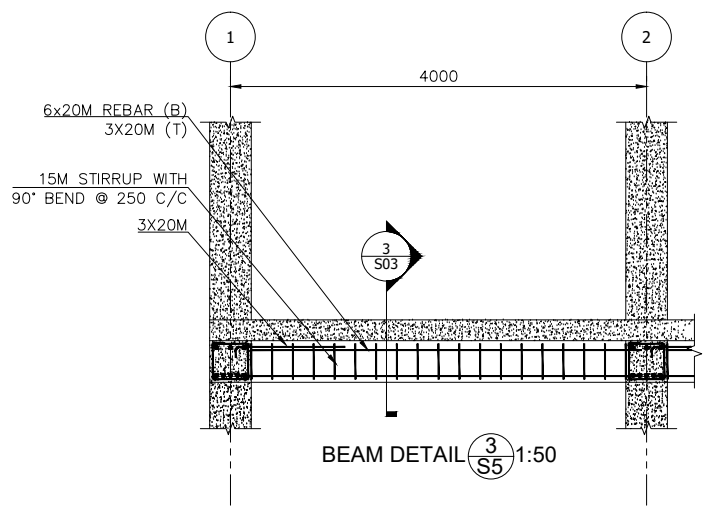
 **HUMBER**
FACULTY OF APPLIED SCIENCES
AND TECHNOLOGY
CIVIL ENGINEERING

TITLE:
COLUMN DETAILS

DRAWN BY:
ROBIN PANESAR

DATE: 4/11/24	DWG. NO. S04
SCALE: AS SPECIFIED	

GENERAL NOTES:



NO.	DESCRIPTION	DATE
4.		
3.		
2.		
1.		

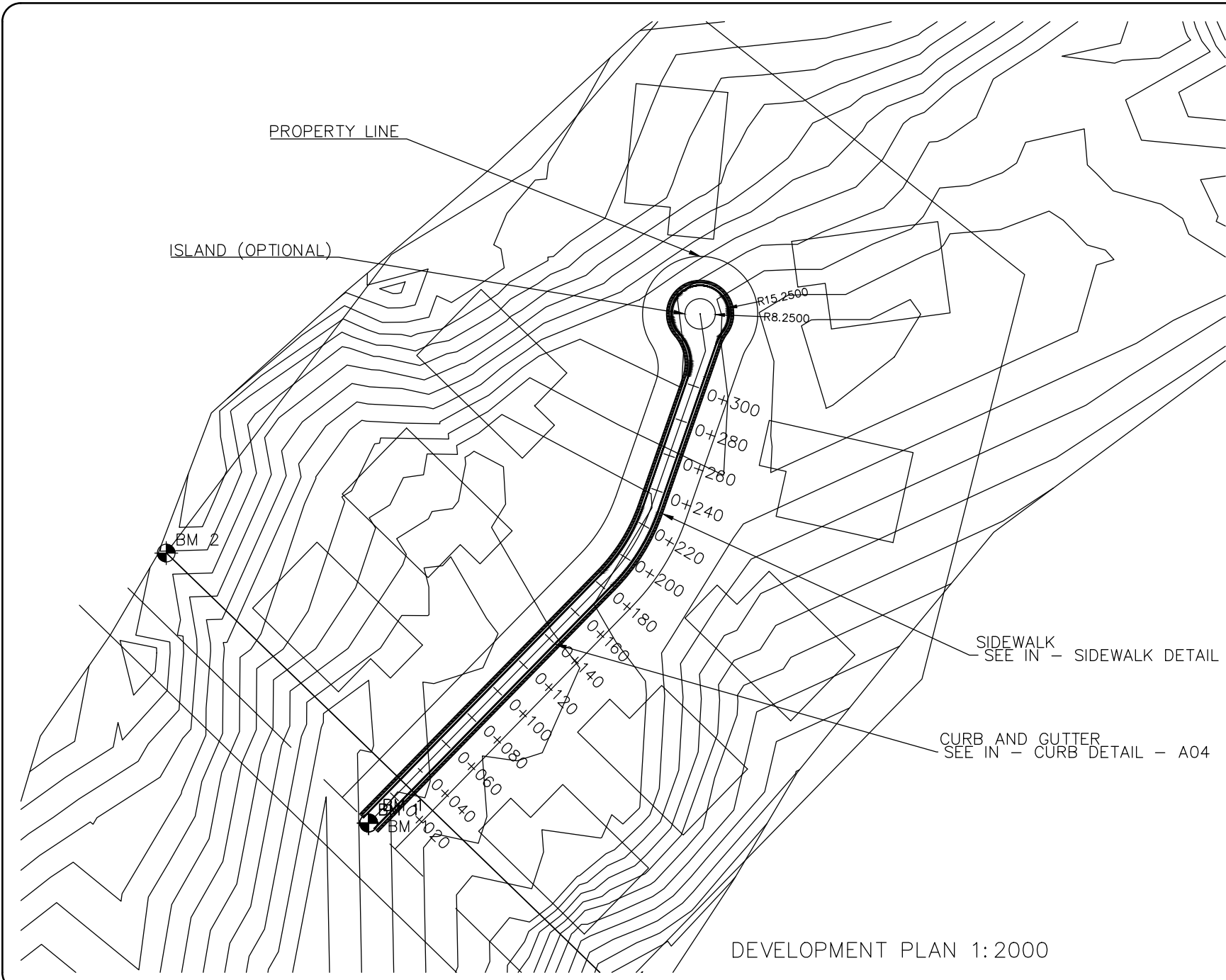
REVISIONS

HUMBER
 FACULTY OF APPLIED SCIENCES
 AND TECHNOLOGY
 CIVIL ENGINEERING

TITLE:
BEAM DETAILS

DRAWN BY:
ROBIN PANESAR

DATE: 4/11/24	DWG. NO. S03
SCALE: AS SPECIFIED	



GENERAL NOTES:

NO.	DESCRIPTION	DATE
4.		
3.		
2.		
1.		

REVISIONS

HUMBER
 FACULTY OF APPLIED SCIENCES
 AND TECHNOLOGY
 CIVIL ENGINEERING

TITLE:
 DEVELOPMENT
 PLAN

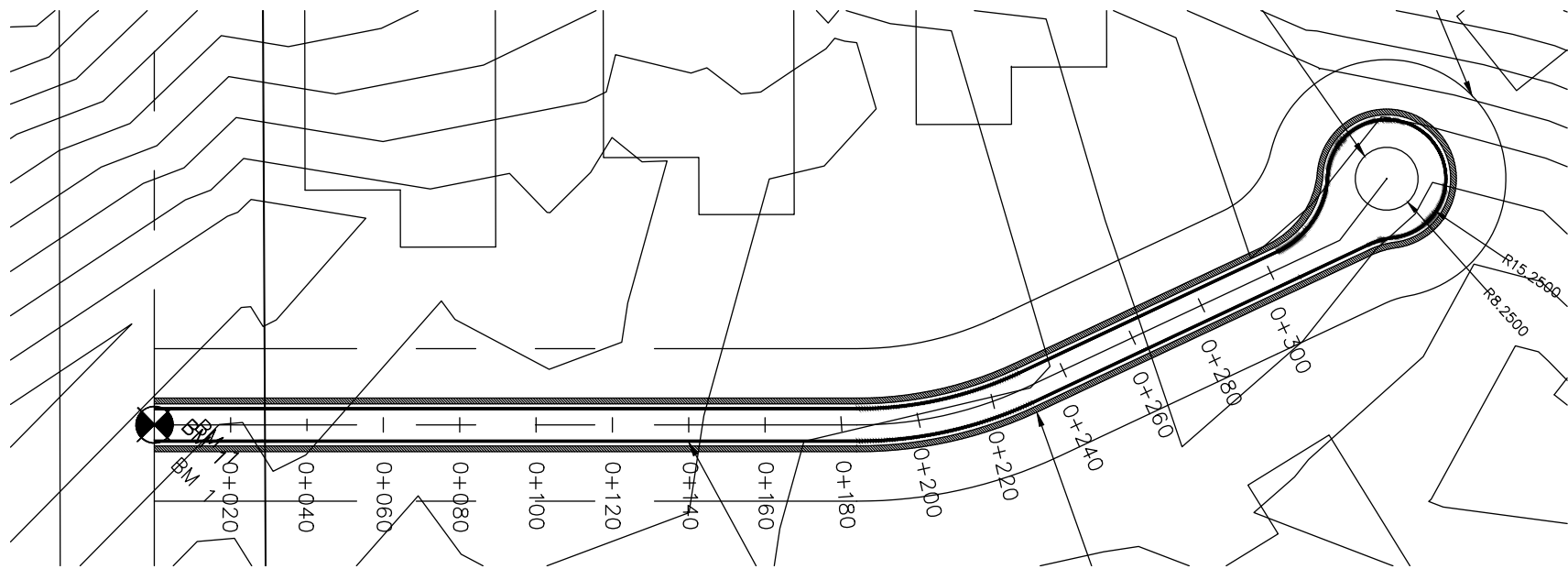
DRAWN BY:
 ROBIN PANESAR

DATE: 07/03/24 **DWG. NO.**
SCALE: 1:2000 A02

SIDEWALK
 SEE IN - SIDEWALK DETAIL

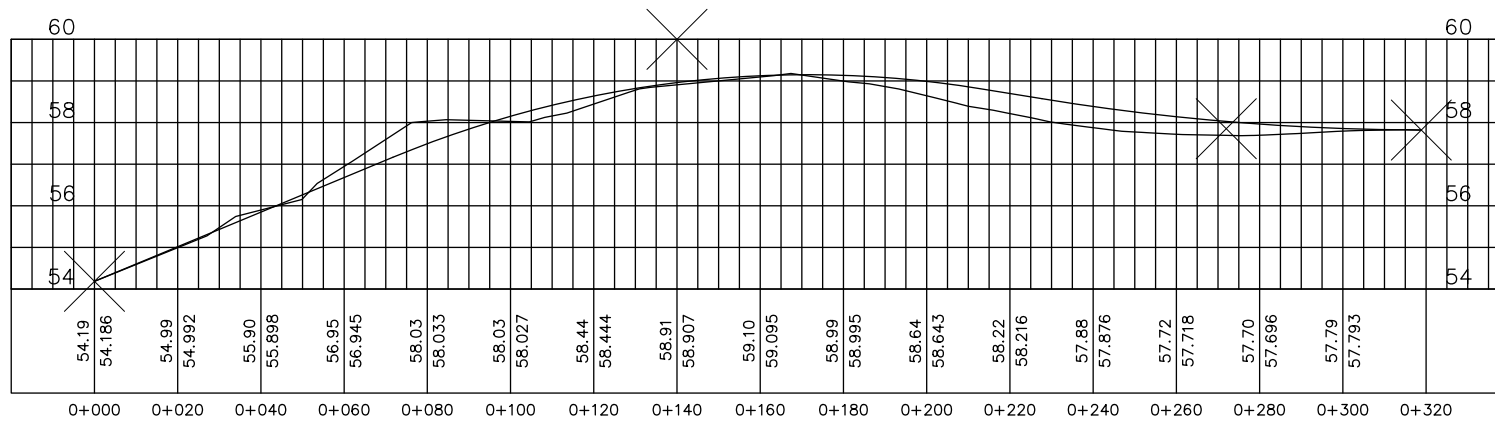
CURB AND GUTTER
 SEE IN - CURB DETAIL - A04

DEVELOPMENT PLAN 1:2000



PARTIAL ROAD PLAN 1:1250

First Court PROFILE



ROAD PROFILE 1:1250

GENERAL NOTES:

NO.	DESCRIPTION	DATE
4.		
3.		
2.		
1.		

REVISIONS

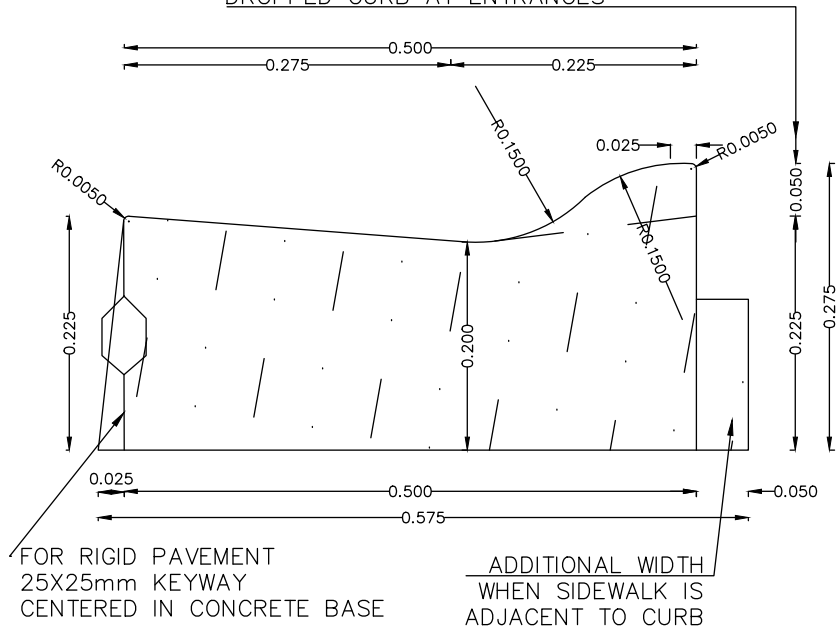


TITLE:
PARTIAL ROAD PLAN
AND ROAD PROFILE

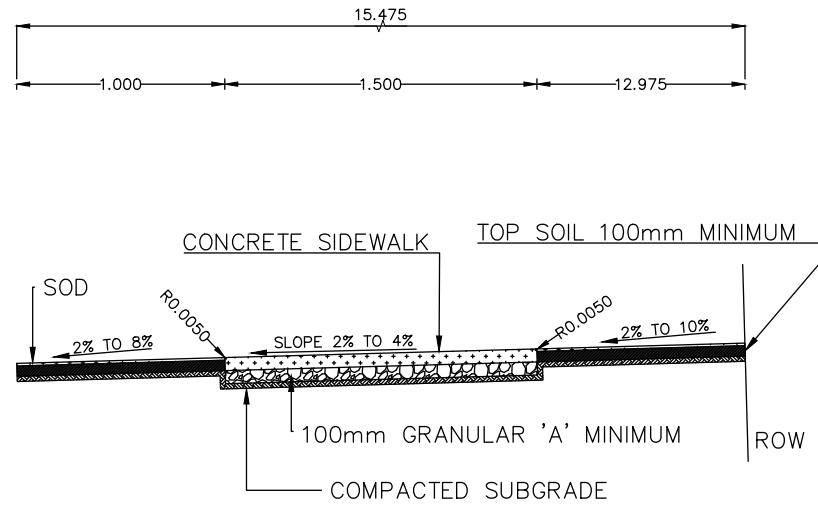
DRAWN BY:
ROBIN PANESAR

DATE: 07/03/24 DWG. NO.
SCALE: 1:1250 A03

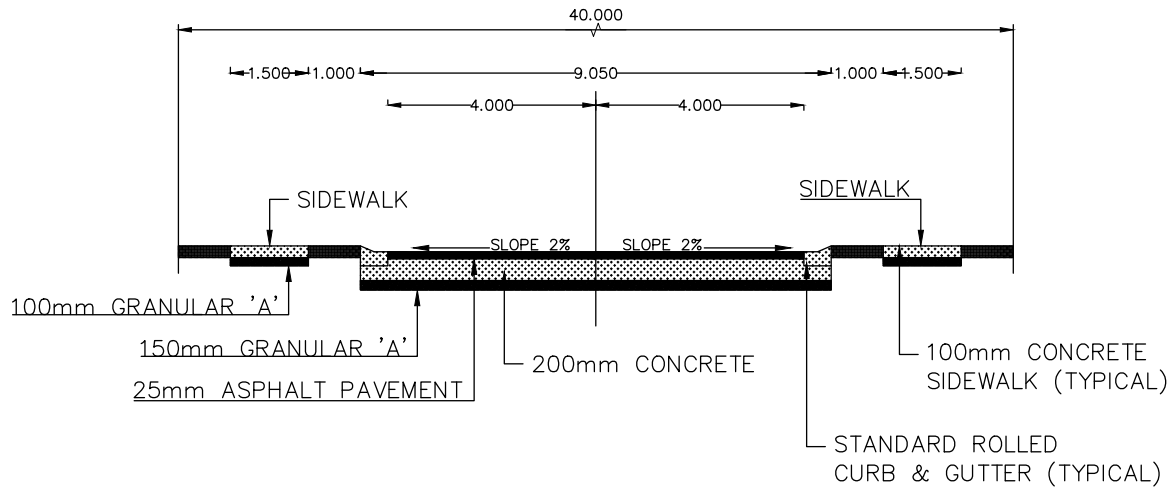
DROPPED CURB AT ENTRANCES



CURB DETAILS 1:5



SIDEWALK DETAIL 1:25



40m RIGHT-OF-WAY 1:100
TYPICAL SECTION

GENERAL NOTES:

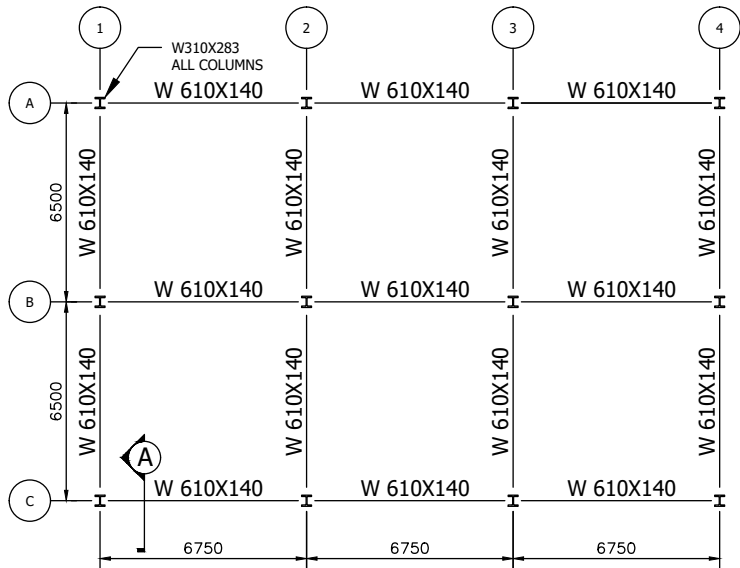
NO.	DESCRIPTION	DATE
4.		
3.		
2.		
1.		

HUMBER
FACULTY OF APPLIED SCIENCES
AND TECHNOLOGY
CIVIL ENGINEERING

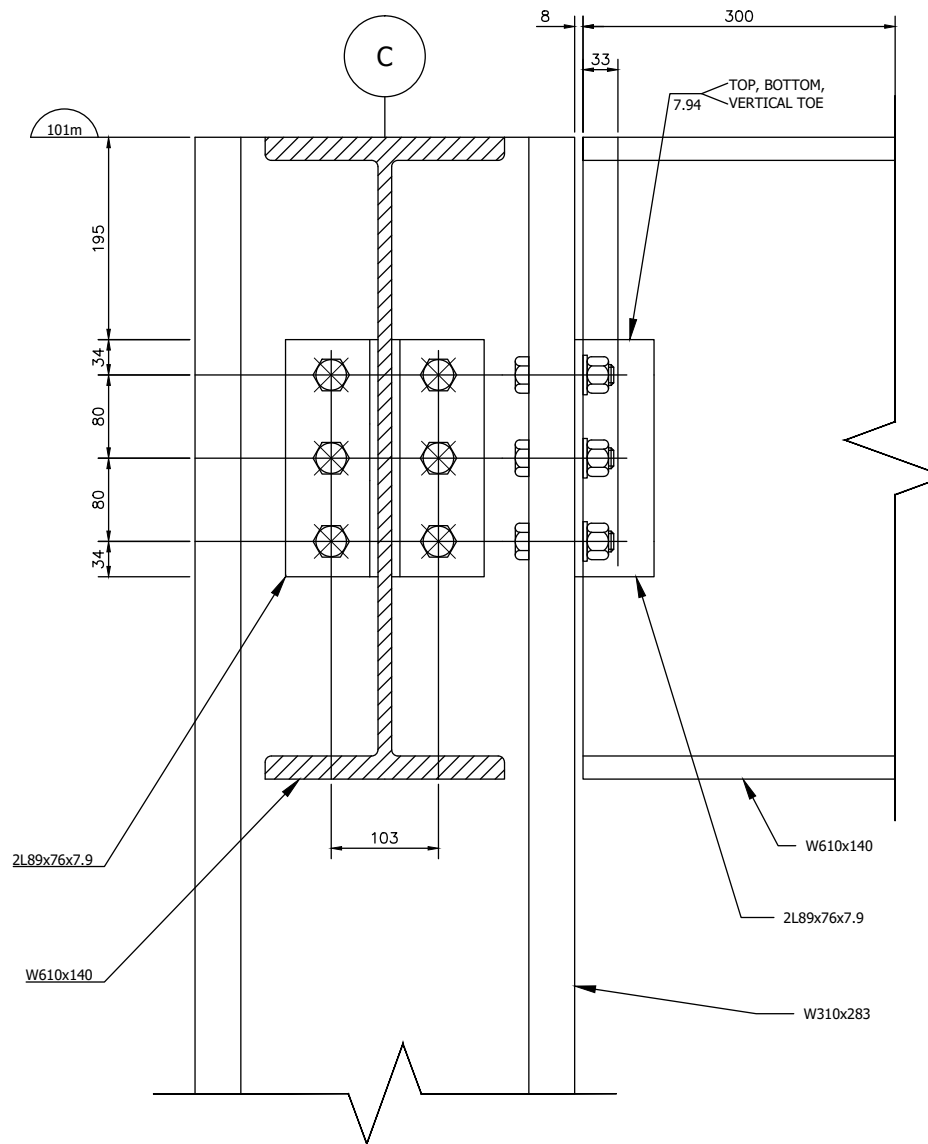
TITLE: ROAD SECTION
CURB DETAIL
SIDEWALK DETAIL

DRAWN BY:
ROBIN PANESAR

DATE: 07/03/24 DWG. NO.
SCALE: AS SPECIFIED A04



STRUCTURAL STEEL PLAN 1:170



STRUCTURAL STEEL COLUMN BEAM CONNECTION
SECTION A 1:5

GENERAL NOTES:

NO.	DESCRIPTION	DATE
4.		
3.		
2.		
1.		

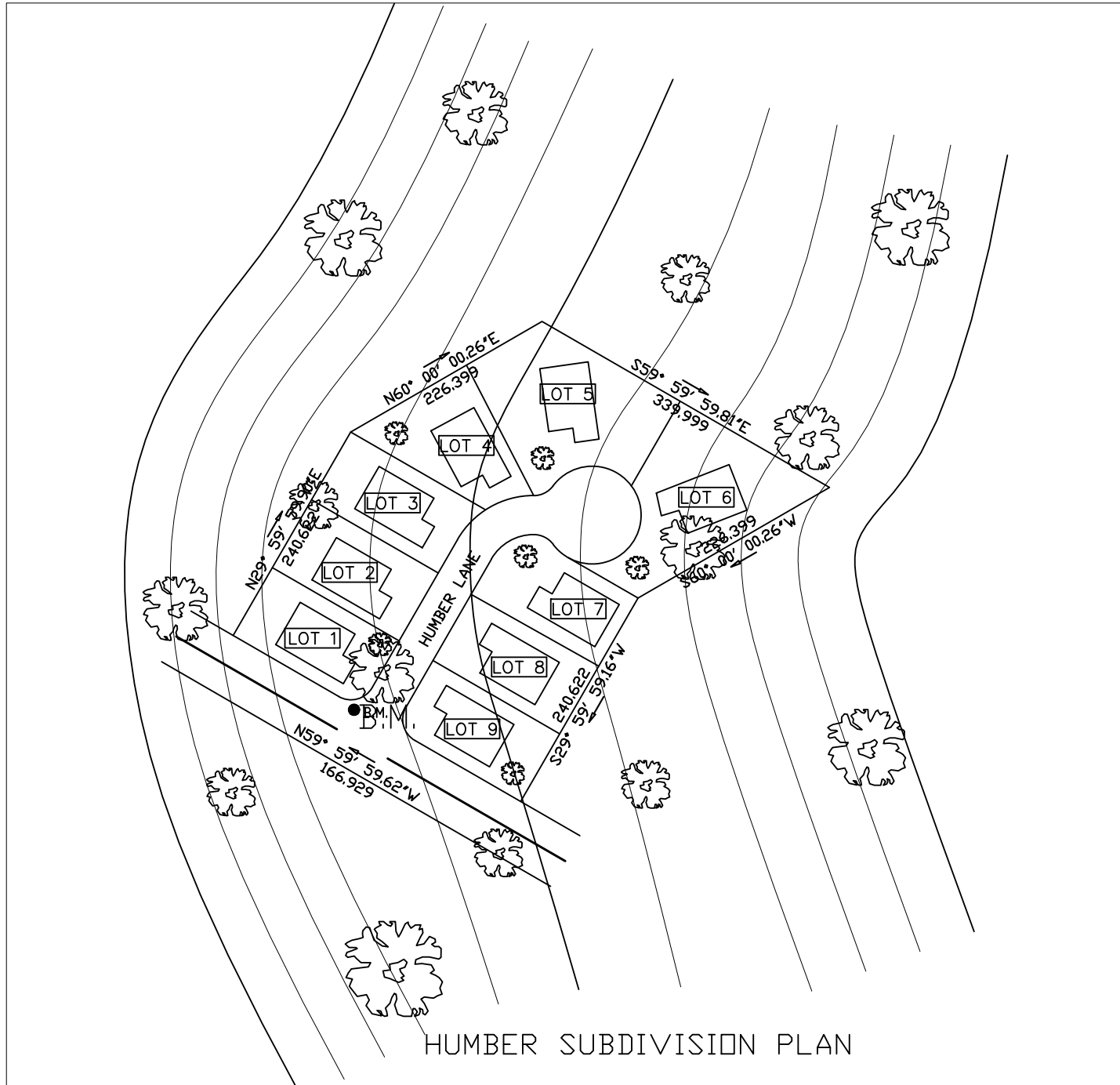
REVISIONS

HUMBER
FACULTY OF APPLIED SCIENCES
AND TECHNOLOGY
CIVIL ENGINEERING

TITLE:
STRUCTURAL STEEL PLAN &
COLUMN BEAM CONNECTION

DRAWN BY:
ROBIN PANESAR

DATE: 02/08/24	DWG. NO.
SCALE: 1:170 & 1:5	S01 & S02



HUMBER SUBDIVISION PLAN

GENERAL NOTES:

NO.	DESCRIPTION	DATE
4.		
3.		
2.		
1.		
REVISIONS		


HUMBER
 SCHOOL OF APPLIED TECHNOLOGY
 CIVIL ENGINEERING

TITLE:
 EXERCISE 10B
 HUMBER SUBDIVISION

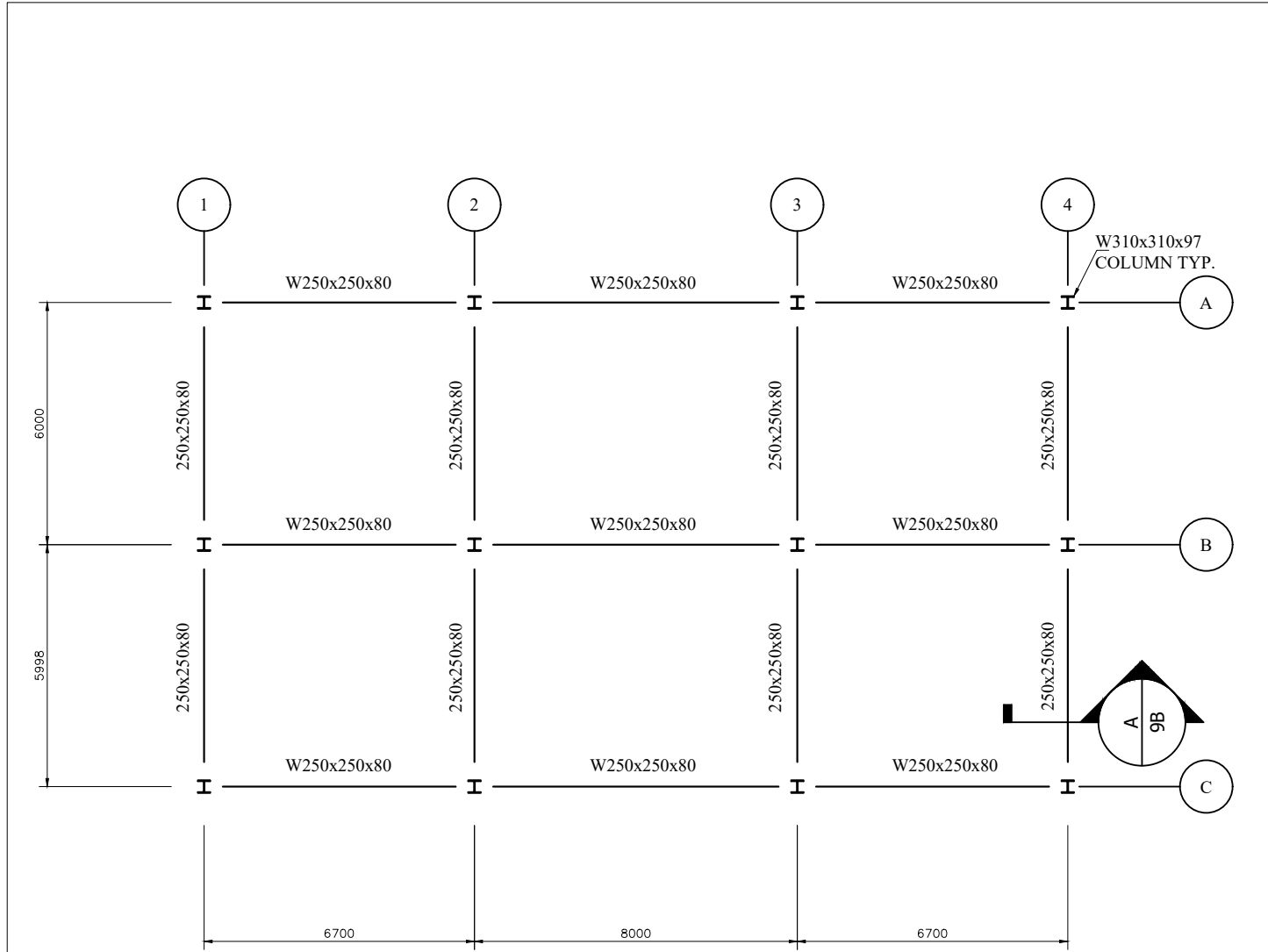
DRAWN BY:
 ROBIN PANESAR

DATE: 11/12/23

DWG. NO.

SCALE: 1:150

10



FIRST FLOOR STRUCTURAL FRAME

GENERAL NOTES:

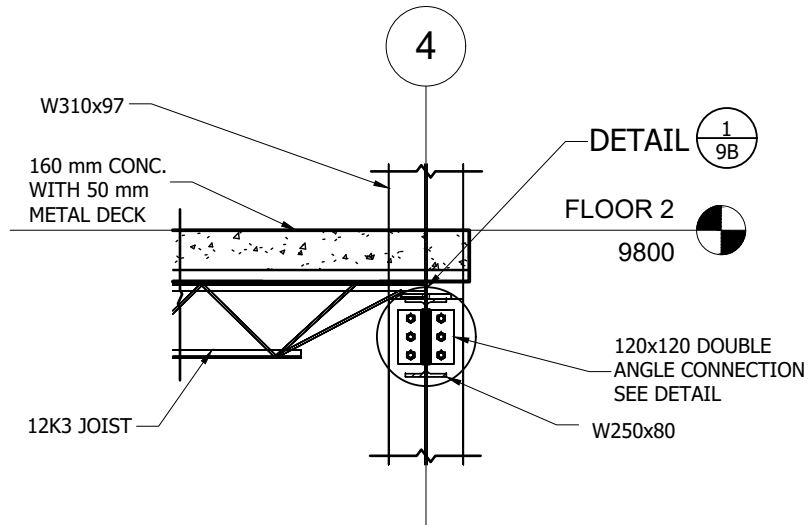
4.		
3.		
2.		
1.		
NO.	DESCRIPTION	DATE
REVISIONS		

HUMBER
SCHOOL OF APPLIED TECHNOLOGY
CIVIL ENGINEERING

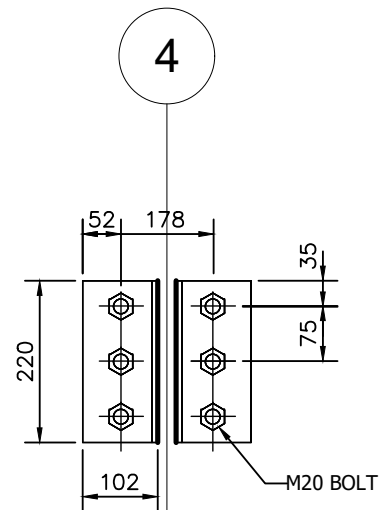
TITLE:
EXERCISE 9A
STRUCTURAL PLAN

DRAWN BY:
ROBIN PANESAR

DATE: 11/12/23	DWG. NO.
SCALE: 1:160	9A



A / **9B** TYPICAL BEAM TO COLUMN CONNECTION 1:30



DETAIL **1** / **9B** DOUBLE ANGLE CONNECTION 1:10

GENERAL NOTES:

NO.	DESCRIPTION	DATE
4.		
3.		
2.		
1.		

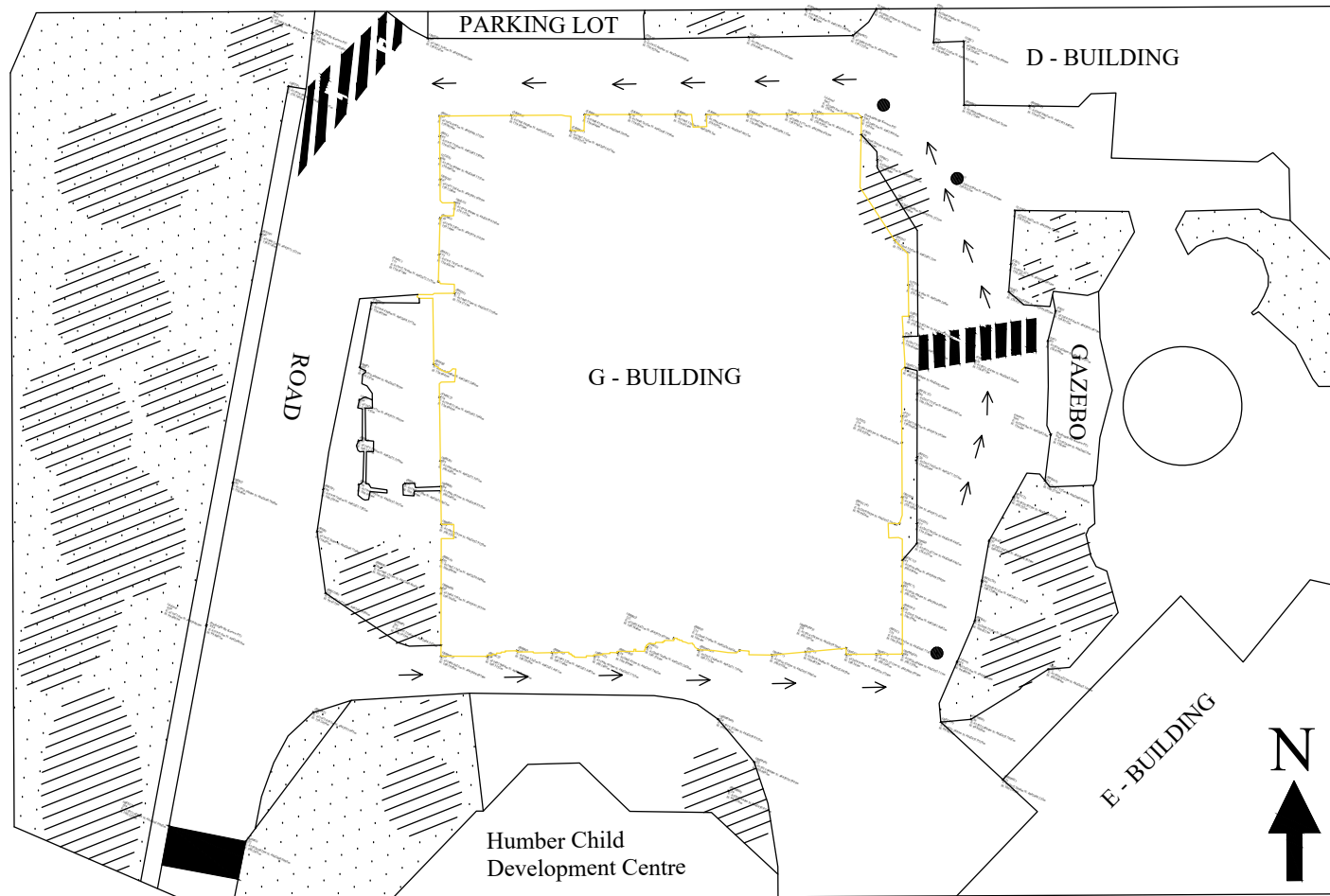
REVISIONS

HUMBER
SCHOOL OF APPLIED TECHNOLOGY
CIVIL ENGINEERING

TITLE:
EXERCISE 9B
SECTION, DETAIL

DRAWN BY:
ROBIN PANESAR

DATE: 11/12/23	DWG. NO.
SCALE: 1:30 & 1:10	9B



LEGEND

TREES	
GRASS	
MANHOLE	
PATH	
ARROWS	
CURB	

GENERAL NOTES:

NO.	DESCRIPTION	DATE
4.		
3.		
2.		
1.		

REVISIONS

HUMBER
 FACULTY OF APPLIED SCIENCES
 AND TECHNOLOGY
 CIVIL ENGINEERING

TITLE:
 TOPOGRAPHIC
 MAP

DRAWN BY:
 ROBIN PANESAR

DATE: 02/11/24	DWG. NO.
SCALE: 2.2:1	# 1